



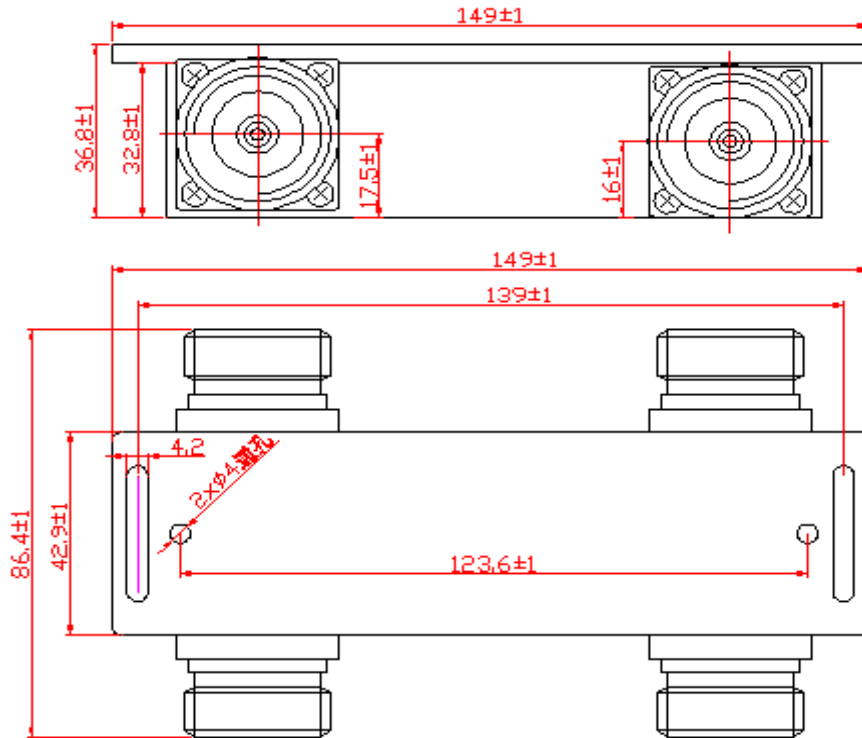
HeFei HTMICROWAVE Technology CO., LTD.

Address: NO.1698, XiYou Road, New & High-tech Development Area, HeFei, AnHui,China.

TEL: +86-551-62725878 FAX: 86-551-62725864 / E-mail: Sales@htmicrowave.com

◆ Product: 3dB Hybrid Coupler (800-2700MHz)

◆ Outline Drawing



◆ Data Sheet

Items	Specification
Frequency	800MHz -2700MHz
Insert Loss	≤3.6dB
In-band Ripple	≤0.8dB
VSWR	≤1.25:1
Isolation	≥23dB
PIM3	≤-150dBc@2×43dBm/-155dBc@2×43dBm
Average Power	500W
Operating Temperature	-20~+55℃
Impedance	50Ω
Connector	DIN-F
Application	Indoor / IP65 Outdoor
Finish	Black Paint