



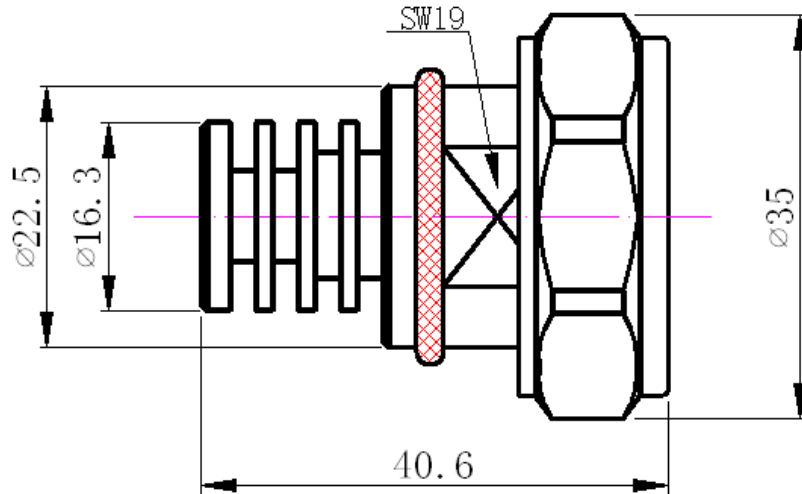
HeFei HTMICROWAVE Technology CO., LTD.

Address: NO.1698, XiYou Road, New & High-tech Development Area, HeFei, AnHui,China.

TEL: +86-551-62725878 FAX: 86-551-62725864 / E-mail: Sales@htmicrowave.com

◆ Product: RF Dummy Load 2W

◆ Outline Drawing



◆ Data Sheet

Items	Specification
Product Name	Dummy Load 2W
Frequency Band	DC-3GHz
VSWR	$\leq 1.2:1$
PIM3	$\leq -105\text{dBc}@2\times 33\text{dBm}$
Average Power	2W
Operating Temperature	$-20\sim +55^{\circ}\text{C}$
Impedance	50Ω
Application	Indoor / IP65 Outdoor
Connector	DIN-Male