



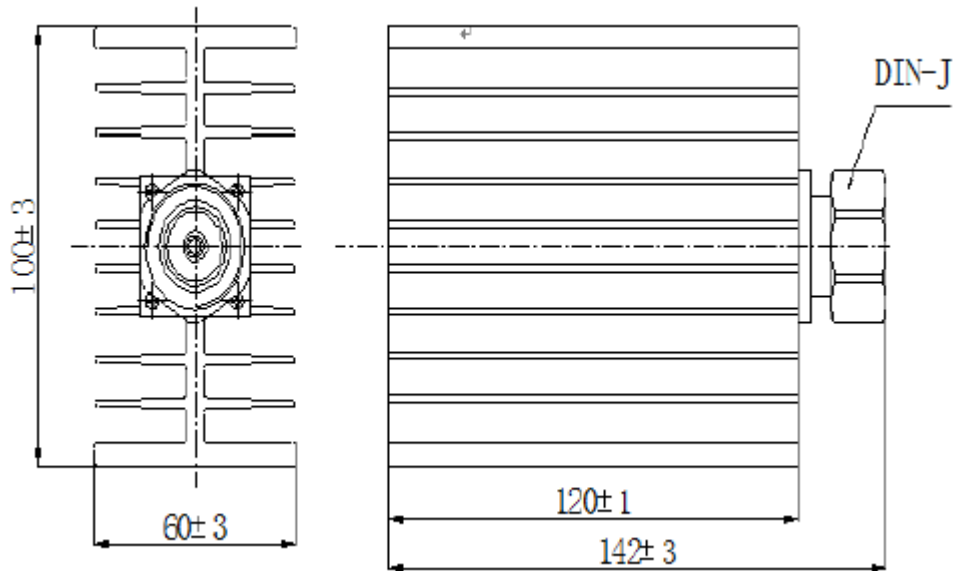
# HeFei HTMICROWAVE Technology CO., LTD.

Address: NO.1698, XiYou Road, New & High-tech Development Area, HeFei, AnHui,China.

TEL: +86-551-62725878 FAX: 86-551-62725864 / E-mail: Sales@htmicrowave.com

## ◆ Product: RF Dummy Load 100W

## ◆ Outline Drawing



## Data Sheet

Items	Specification
Product Name	Dummy Load 100W
Frequency Band	DC-3GHz
VSWR	≤1.25:1
PIM3	≤-105dBc@2x33dBm
Average Power	100W
Operating Temperature	-20~+55°C
Impedance	50Ω
Application	Indoor / IP65 Outdoor
Connector	DIN-Male