

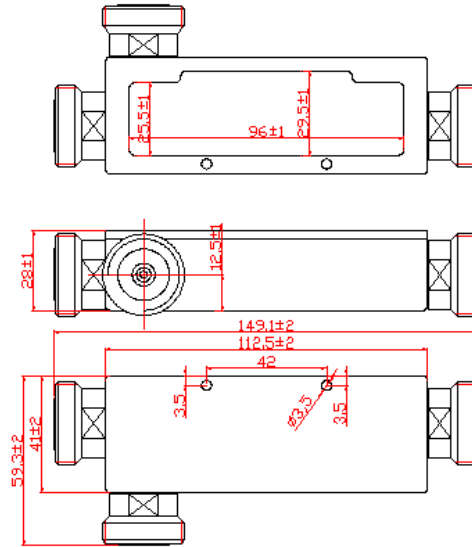


HeFei HTMICROWAVE Technology CO., LTD.

Address: NO.1698, XiYou Road, New & High-tech Development Area, HeFei, AnHui,China.
 TEL: +86-551-62725878 FAX: 86-551-62725864 / E-mail: Sales@htmicrowave.com

◆ Product: Directional Coupler(800-2700MHz)

◆ Outline Drawing



◆ Data Sheet

Items	Specification					
Frequency	800MHz-2700MHz					
VSWR	≤1.25:1					
Coupling Value	5dB	6dB	7dB	10dB	15dB	20dB
In-band Ripple (dB)	±0.8			±1.0		
Insert loss (dB)	≤2.3	≤1.76	≤1.47	≤0.96	≤0.44	≤0.34
Isolation (dB)	≥23	≥24	≥25	≥28	≥33	≥38
Average Power	500W					
PIM3	≤-150dBc@43dBm*2/-155dBc@43dBm*2					
Operating Temperature	-20~+55℃					
Connector	DIN-F					
Impedance	50ohm					
Application	Indoor / IP65 Outdoor					
Finish	Black Paint					



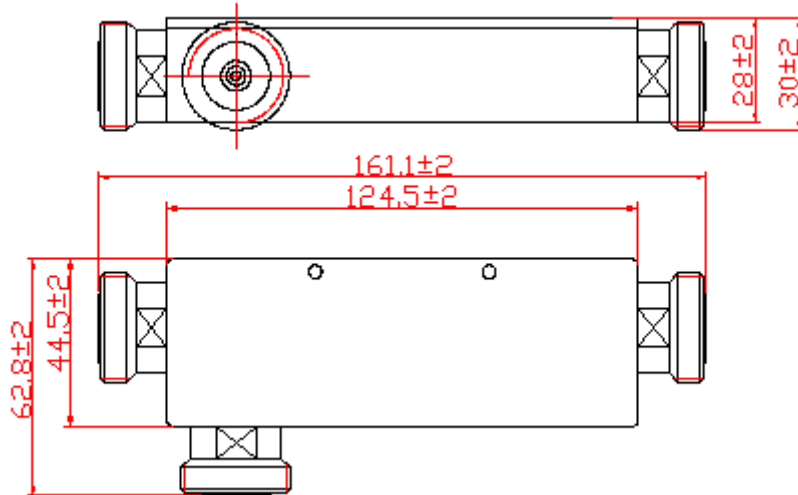
HeFei HTMICROWAVE Technology CO., LTD.

Address: NO.1698, XiYou Road, New & High-tech Development Area, HeFei, AnHui,China.

TEL: +86-551-62725878 FAX: 86-551-62725864 / E-mail: Sales@htmicrowave.com

◆ Product: Directional Coupler(800-2700MHz)

◆ Outline Drawing



◆ Data Sheet

Items	Specification	
Frequency	800MHz-2700MHz	
VSWR	≤1.25:1	
Coupling Value	30dB	40dB
In-band Ripple (dB)	±1.5	
Insert loss (dB)	≤0.3	
Isolation (dB)	≥48	≥55
Average Power	500W	
PIM3	≤-150dBc@43dBm*2/-155dBc@43dBm*2	
Operating Temperature	-20~+55°C	
Connector	DIN-F	
Impedance	50ohm	
Application	Indoor / IP65 Outdoor	
Finish	Black Paint	