



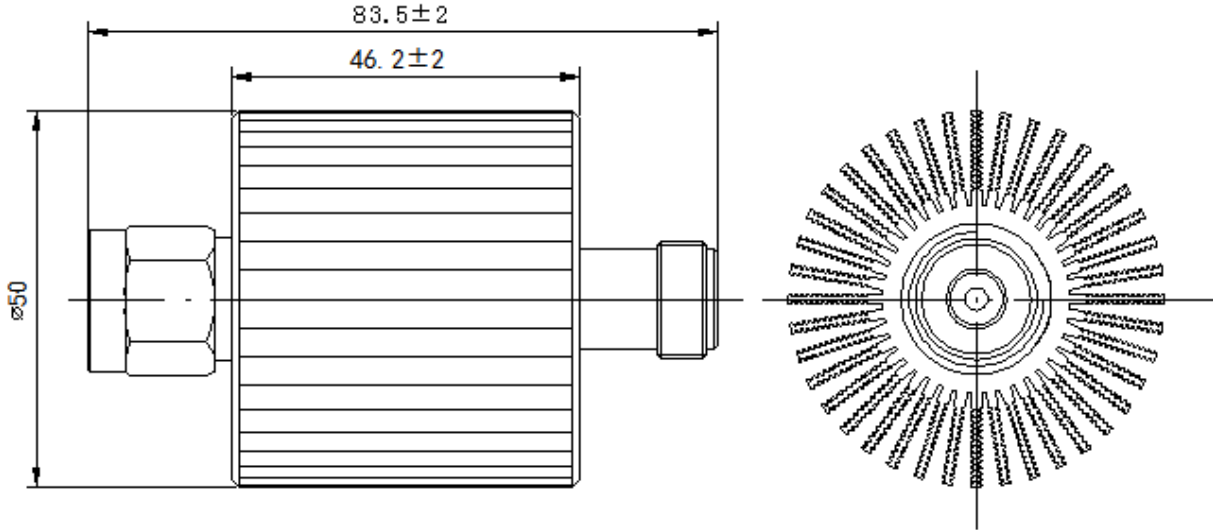
HeFei HTMICROWAVE Technology CO., LTD.

Address: NO.1698, XiYou Road, New & High-tech Development Area, HeFei, AnHui, China.

TEL: +86-551-62725878 FAX: 86-551-62725864 / E-mail: Sales@htmicrowave.com

◆ Product: 25W Coaxial Attenuator (DC-3GHz)

◆ Outline Drawing



◆ Data Sheet

Attenuation Value (dB)	3	6	10	15	20	30	40
Frequency(MHz)	DC-3000						
Attenuation Accuracy (dB)	±0.4	±0.4	±0.6	±0.6	±0.8	±1.0	±1.4
In-band Ripple (dB)	≤0.5	≤0.7	≤0.9	≤1.0	≤1.2	≤1.4	≤1.6
VSWR	≤1.2:1						
Impedance (Ω)	50						
Power (W)	25						
PIM (IM3)	≤-105dBc@2×33dBm						
PIM (IM5)	≤-120dBc@2×33dBm						
Connector	N-M/N-F						
Application	Indoor / IP65 Outdoor						
Operating Temperature	-30~+65℃						