

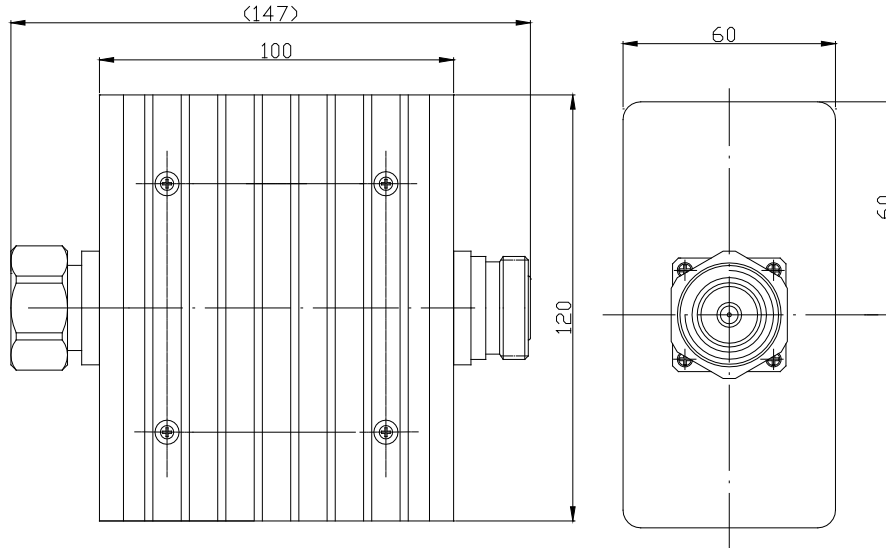


# HeFei HTMICROWAVE Technology CO., LTD.

Address: NO.1698, XiYou Road, New & High-tech Development Area, HeFei, AnHui,China.  
 TEL: +86-551-62725878 FAX: 86-551-62725864 / E-mail: [Sales@htmicrowave.com](mailto:Sales@htmicrowave.com)

## ◆ Product:100W Coaxial Attenuator (DC-3GHz)

### ◆ Outline Drawing



### ◆ Data Sheet

Attenuation Value (dB)	3	6	10	15	20	30	40
Frequency(MHz)	DC-3000						
Attenuation Accuracy (dB)	±0.4	±0.4	±0.6	±0.6	±0.8	±1.0	±1.5
In-band Ripple (dB)	≤0.5	≤0.7	≤0.9	≤1.0	≤1.2	≤1.4	≤1.6
VSWR	≤1.25:1						
Impedance (Ω)	50						
Power (W)	100						
PIM (IM3)	≤-105dBc@2x43dBm						
PIM (IM5)	≤-120dBc@2x43dBm						
Connector	DIN-M/DIN-F						
Application	Indoor / IP65 Outdoor						
Operating Temperature	-30~+65℃						