

Data sheet CPRI Cable for Ericsson

Key Features

- Ideal for outside cabling application
- Armored steel tape for rodent resistance
- Pressure resistance
- Fully water-blocked
- Moisture blocking loose tubes
- Fiber 2 core
- Easy Operation, reliable and cost-effective

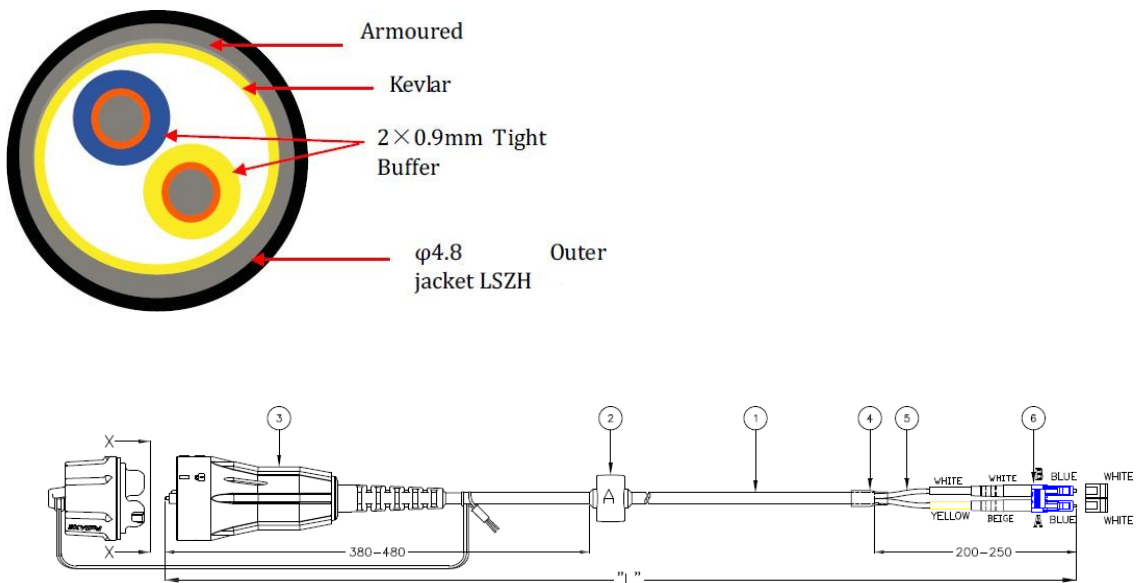
This is armored fiber optic patch cord with 2 fibers, which is designed ideal for CPRI cabling system.



Applications

- FTTA & FTTH
- Base station, BTS installation, BBU to RRU
- Indoor/outdoor building cabling
- Harsh environments application
- Long haul networking
- Direct burial and aerial lashing

Structure



Item	Specifications
Model	HT-CPRI-ER-LC/UPC-LC/UPC-SM-Lm
Connector A	Duplex LC/UPC, IEC 61754 standards, Fullaxs IP67 for Ericsson RRU
Connector B	Duplex LC/UPC, IEC 61754 standards
Cable length	60m/100m or offers customized requirements
Fan out connector length Side B	100mm or 250mm Armoured Tube
Fiber amount	2 cores



HeFei HTMICROWAVE Technology CO., LTD.

ADD: 6th Floor,R & D Building 1,NO.1698, XiYouRoad,HTMICROWAVE Industrial Park,New & High-TechDevelopment Area,HeFei, AnHui,China TEL: 86-551-62725878 FAX: 86-551-62725889 E-mail:Sales@htmicrowave.com

Fiber waterproof	Protection Level IP67 standard
Fiber type	Singlemode 9/125 μm Single Mode, Standard OS2 compatible ITU G.657 higher
Wavelength	1310nm/1550nm
Optical Cable Attenuation at 850nm	$\leq 0.35\text{dB/km}$ @ 1310nm/1550nm
IL/Connector	$\leq 0.3\text{dB}$
Return Loss/Connector	$\geq 50\text{dB}$
Operation Temperature Range	-40-70 $^{\circ}\text{C}$, Withstand outdoor working conditions, good UV resistance, Compliancewith IEC 60794-1-2 standard
Tensile strength	$\geq 500\text{N}$
Mechanical life	≥ 500 cycles
Bending radius	180mm minimum
Crush Resistance	1500 N/100 mm
Outer sheath	LSZH outer layer, Armored cover, kevlar reinforcement
Cable sheath color	Black
Cable OD	4.8mm +/-0.2mm
Fan out	3.0mm armored tube
Label	The cable body specifies the type, parameters, manufacturer, length, etc
Inflamingretarding	IEC 60332-3



HeFei HTMICROWAVE Technology CO., LTD.

ADD: 6th Floor,R & D Building 1,NO.1698, XiYouRoad,HTMICROWAVE Industrial Park,New & High-TechDevelopment Area,HeFei,
AnHui,China TEL: 86-551-62725878 FAX: 86-551-62725889 E-mail:Sales@htmicrowave.com
