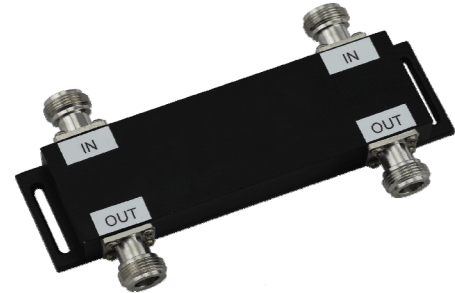
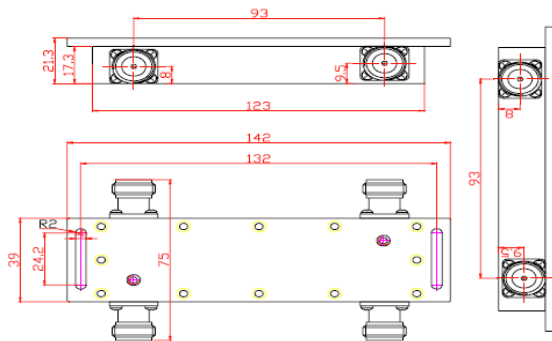


1. Figure



2. Key features

- Designed for the decoupled combining of 2 transmitter or receiver signals and distributing these signals equally onto 2 antenna output
- Operates from TETRA up to 5G frequency bands
- For indoor and outdoor use

3. Electrical specification

Frequency band	698 - 2700 MHz
Distribution loss	3.1 ±0.5 dB @ 698-3800MHz
VSWR	≤ 1.25
Isolation	≥ 20 dB
Input Impedance	50 Ω
Insertion loss	≤ 0,55 dB
Passive Intermodulation	≤ -150 dBc (2 x 43 dBm carrier)
Input Power per port. Max.	300 W
Peak power	1500 W

3. Mechanical specification

Color	Light gray
Connectors	4.3-10 female
Dimensions (L x W x H)	227 x 49 x 43 mm
Number of Input Ports	2
Number of Output Ports	2
Weight	0,39 kg

4. Environmental specification

Operating temperature	from -35°C to +65°
IP rating	IP68
ROHS	Compliant
CE certificate	Yes
Relative humidity	≤ 95 %

4. Installation

Outing	Wall mounting
--------	---------------