

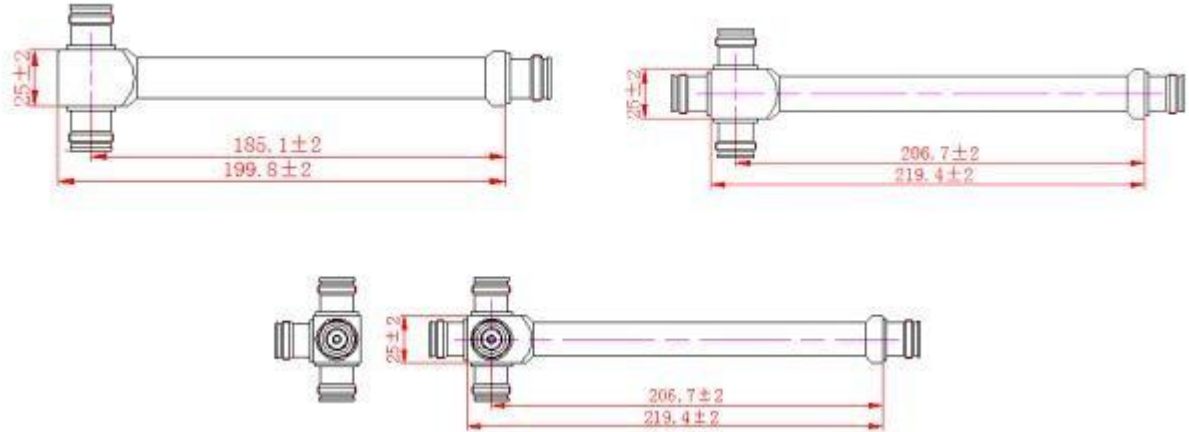


# HEFEI HTMICROWAVE TECHNOLOGY CO., LTD.

ADD: NO.1698, XiYou Road, HTMICROWAVE Industrial Park, New & High-Tech Development Area, HeFei, AnHui, China E-mail: Sales@htmwave.com www.htmwave.com

## ◆ ITEM: Power Splitter - Model: HT-SP-698/2700-2/3/4-DF/4310F

### ◆ Outline drawing



### ◆ Specification

Data	Specification		
Item	2 way	3 way	4 way
Frequency	698MHz -2700MHz 698MHz -4000MHz		
Insertion Loss	≤3.3dB	≤5.2dB	≤6.5dB
VSWR	≤1.25	≤1.25	≤1.25
PIM3	≤-155dBc@2×43dBm		
Power	300W		
Impedance	50 Ω		
Connector Type	7/16Din Female or 4.3-10-Female		
Operating Temperature	-45~+85℃		
Relative humidity	5~95%		
Inner Contact Plating	Allumium/Gold/Silver/brass or same		
Outer Contact Plating	Allumium/Trimetal or same		
Degree of protection	Outdoor (IP65)		
Labeling	The body specifies the model, manufacturer... or Customized		
Finish	Black Paint		
Model/P/N	HT-SP-698/2700-2/3/4-DF HT-SP-698/2700-2/3/4-4310F		