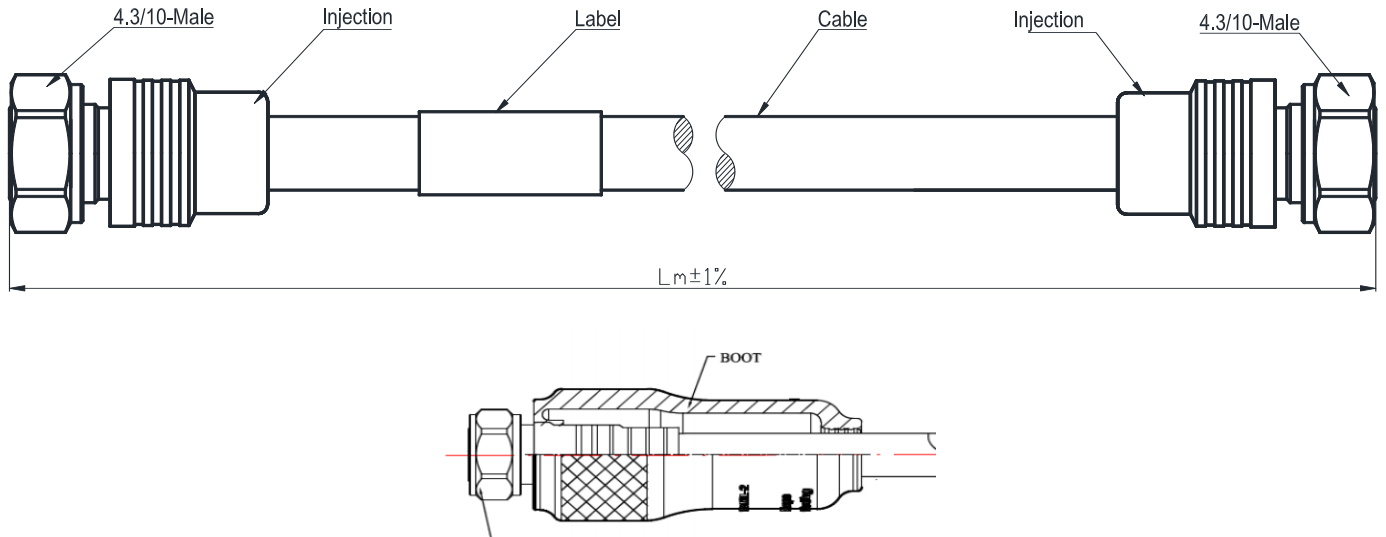


1. Figure



2. Product Description

| | | |
|----------------------|--------------------------------|------------------------|
| 1). Cable Type: | Feeder 1/2" Flexible (outdoor) | |
| 2). Cable Length: | 3m, 6m, 10m...or Customized | |
| Inner Conductor | Copper-Clad Aluminum Wire | |
| Dielectric | Physical Foam Polyethylene | |
| Outer Conductor | Corrugated Copper Tube | |
| Jacket | Black PE | |
| 3). Connectors | | |
| Connector | 4.3/10 type male | 4.3/10 type male |
| Inner Conductor Pin | Brass/Silver Plating | Brass/Silver Plating |
| Body&Outer Conductor | Brass/Trimetal Plating | Brass/Trimetal Plating |
| Insulator | PTFE | PTFE |
| Gasket | Silicon Rubber | Silicon Rubber |
| Nut | Brass/Nickel Plating | Brass/Nickel Plating |

3. Electrical Characteristics

| | |
|---------------------------------|--|
| Characteristics Impedance | 50Ω |
| Frequency band | 0~2.7GHz |
| Minimum Bending Radius (mm) | ≤70 mm |
| Dielectric Withstanding Voltage | ≥2000V |
| Return Loss | ≥ 23dB |
| Waterproof Material boots | Silicon, no need to use rubber and electric tape |
| PIM3 (2 x 43 dBm) | ≤-159dBc |

4. Environmental and Mechanical Specifications

| | |
|-------------------------|--|
| Labeling | The cable body specifies the parameters, manufacturer, length... or Customized |
| Vibration | As per std:IEC 60068-2-6/GB/T 17738.1 |
| Damp heat, steady state | As per std:IEC 60068-2-3/GB/T 2423.3 |
| Salt mist | As per std:IEC 60068-2-11/GB/T 2423.17 (48H) |
| Temperature Range | -45°C to +85°C |
| Jumper Weight | ≥ 0.2 kg/m |
| Sealing Class | IP68, outdoor |