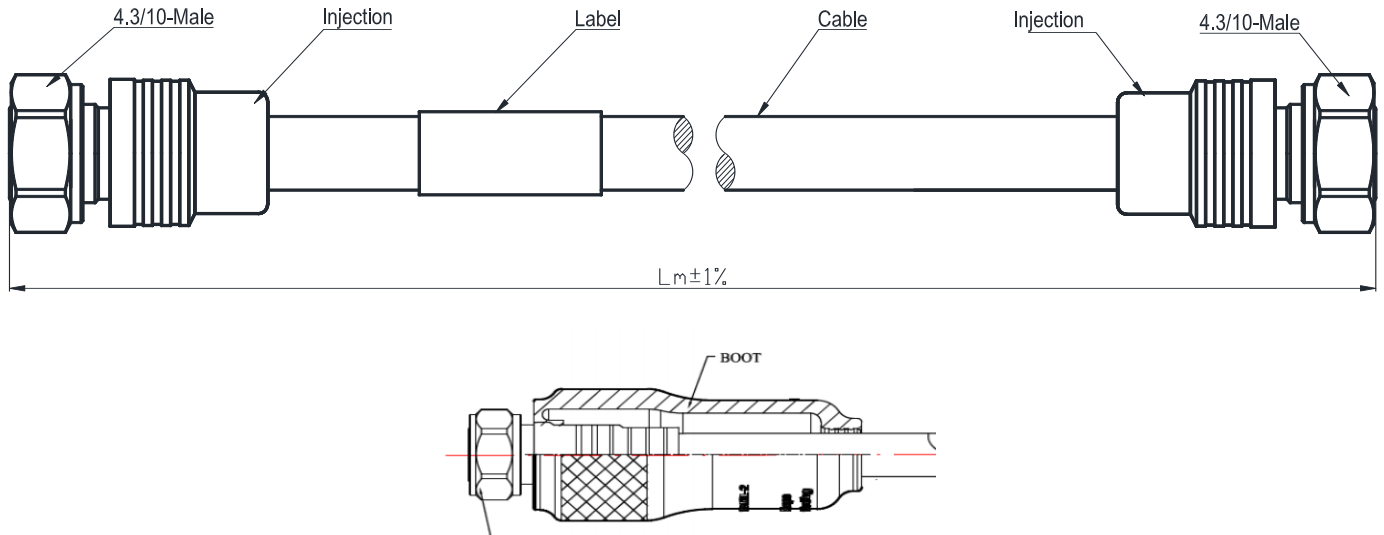


1. Figure



2. Product Description

1). Cable Type:	Feeder 1/2" Flexible (outdoor)	
2). Cable Length:	3m, 6m, 10m...or Customized	
Inner Conductor	Copper-Clad Aluminum Wire	
Dielectric	Physical Foam Polyethylene	
Outer Conductor	Corrugated Copper Tube	
Jacket	Black PE	
3). Connectors		
Connector	4.3/10 type male	4.3/10 type male
Inner Conductor Pin	Brass/Silver Plating	Brass/Silver Plating
Body&Outer Conductor	Brass/Trimetal Plating	Brass/Trimetal Plating
Insulator	PTFE	PTFE
Gasket	Silicon Rubber	Silicon Rubber
Nut	Brass/Nickel Plating	Brass/Nickel Plating

3. Electrical Characteristics

Characteristics Impedance	50Ω
Frequency band	0~2.7GHz
Minimum Bending Radius (mm)	≤70 mm
Dielectric Withstanding Voltage	≥2000V
Return Loss	≥ 23dB
Waterproof Material boots	Silicon, no need to use rubber and electric tape
PIM3 (2 x 43 dBm)	≤-159dBc

4. Environmental and Mechanical Specifications

Labeling	The cable body specifies the parameters, manufacturer, length... or Customized
Vibration	As per std:IEC 60068-2-6/GB/T 17738.1
Damp heat, steady state	As per std:IEC 60068-2-3/GB/T 2423.3
Salt mist	As per std:IEC 60068-2-11/GB/T 2423.17 (48H)
Temperature Range	-45°C to +85°C
Jumper Weight	≥ 0.2 kg/m
Sealing Class	IP68, outdoor