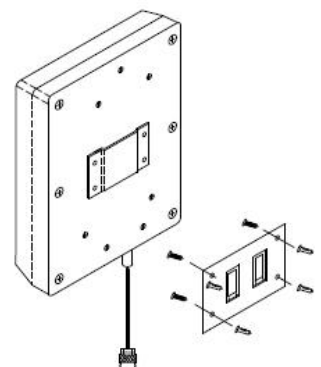


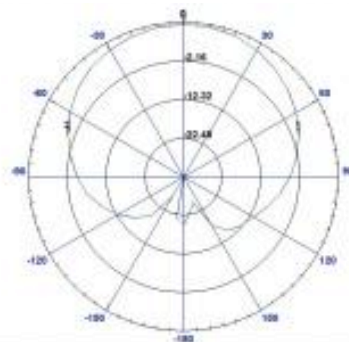
PANEL ANTENNA

Model	HT-SO-0738-BG		
Electrical specifications			
Frequency range (MHz)	698-960	1710-2690	3300-3800
Polarization	V		
Gain(dBi)	5±1	6±1	7±1
Horizontal Beamwidth(°)	90±20°	80±10°	70±10°
Vertical Beamwidth(°)	60±10°	55±8°	50±5°
PIM3(2@33dBm)	-150dbc		
Front-to-back ratio(dB)	≥15		
Impedance(Ω)	50		
VSWR	≤1.8	≤1.5	≤1.8
Maximum input power(W)	50		
Lightning protection	DC Ground		

Mechanical specifications	
Connector	4.3-10-female
Connector position	With cable
Size(mm)	165*155*50mm
Packing size(mm)	170*160*60mm
Antenna weight(kg)	0.33
Wind loading area(m ²)	≤0.2
Rated wind velocity(m/s)	36.9
Reflector material	copper
Radome material	ASA
Installution Method	Wall-mounting
IP Grade	IP65
Operating temperature(°C)	-40 ~ 55



H-Plane



E-Plane