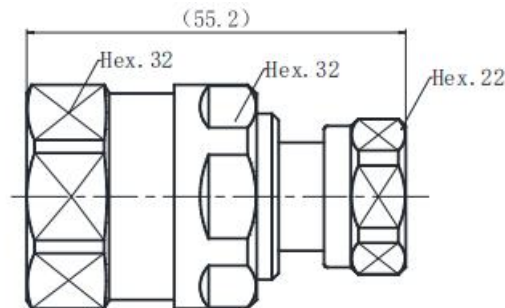


**◆ITEMS :4.3-10 male Connector for 7/8"RF flexible feeder cable**
**◆Outline Drawing**

**◆Specification**

<b>Model</b>	<b>HT-4.3-10-M- 7/8</b>
Frequency(GHz)	DC ~ 3.8
VSWR	≤1.15
Impedance (Ω)	50
Power (W)	1000
PIM (IM3)	≤-150dBc@2×43dBm
Connector type	4.3-10 male
Size (mm)	38*55
Mating cable	7/8"RF flexible feeder cable
Operating Temperature (°C)	-30~+65
Protection Degree	IP65

**◆Material**

Using parts	Processing methods	Component material	Surface treatment
Outer conductor	Machining	Copper H59	Plating ternary alloy
Inner conductor	Machining	QSn6.5-0.1	Silver plating
Insulator	Machining	PTFE	/
Installation Accessories	Machining	Copper H59	Nickel plating
Gasket ring	Injection molding	Silicon	/